

DM SERIES  
Brushless Gimbal Motor  
**GYEMS**  
光毓机电(上海)有限公司  
驱动无刷电机

E-mail: Tony@gyems.cn

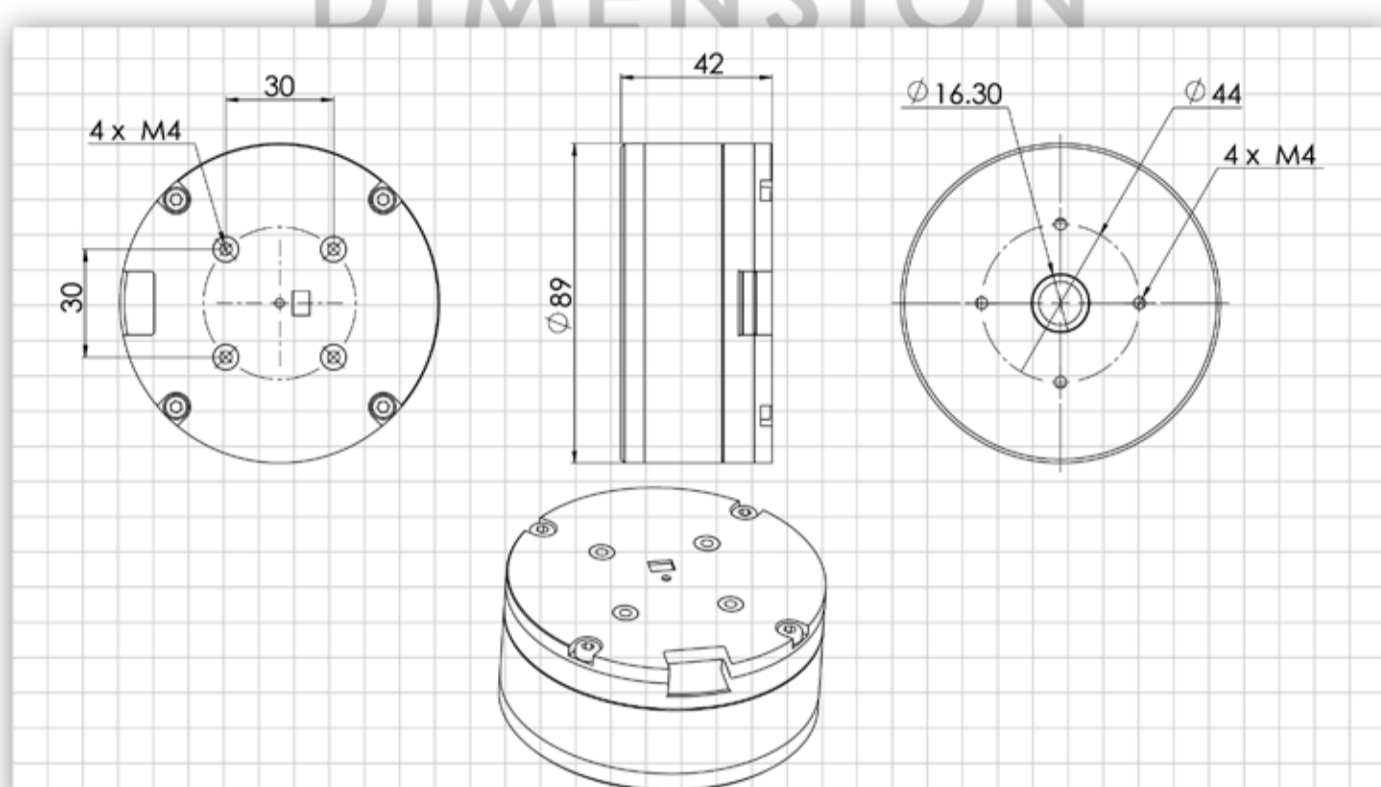
Item Name  
商品名称

**DM90-15**

Built in Encoder and driver, I2C bus interface  
Ultra high torque, precision control



## DIMENSION



## SPECIFICATION

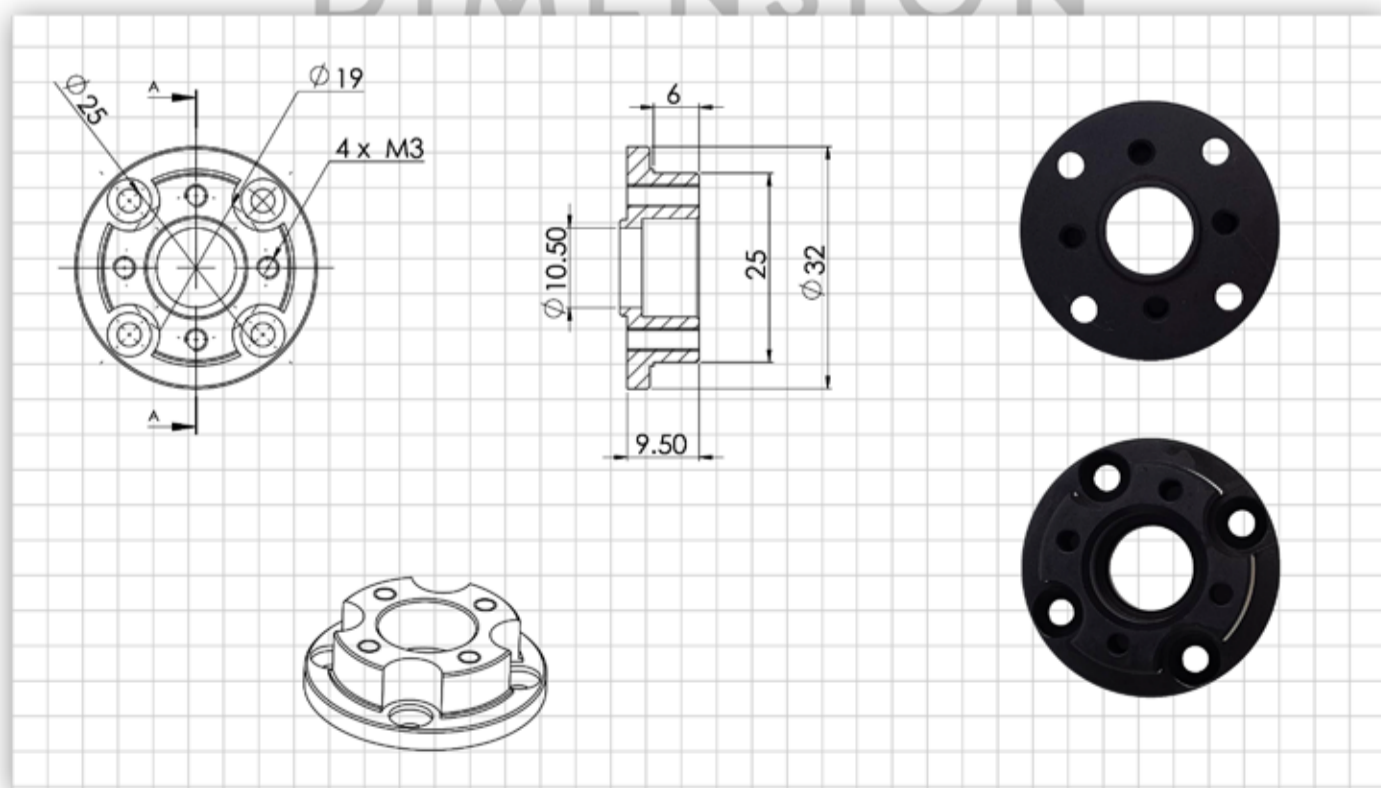
型号 (item name)	DM90-15
重量 (weight;g)	560
尺寸 (Demension;mm)	89x42
结构 (configuration)	24N28P
电机输入电压 (input volatge)	10.5-33.6V
电机阻值 (resistance)	22.80
驱动器 (drive board)	sinewave driver
驱动器输入电压 (Drive board voltage)	10.5-33.6V
驱动允许最大电流 (max current)	6A
中孔直径 (hollow diameter;mm)	15.7
电机安装孔 (motor fixed diameter)	30, 4xM3
最大负载 (max payload, kg)	12.0

Actual measurement by GYEMS technical team

## ACCESSORIES



## DIMENSION



## DIFFERENT SIDES

